

**INSTRUCTIONS FOR INSTALLING A COIN BLOCKOUT ASSEMBLY KIT
(CREM ASSEMBLY) IN A NATIONAL VENDOR - ALL COIN ELECTRIC REGISTER
(ACER) COIN MECHANISM**

Before starting the work of installing a COIN BLOCKOUT ASSEMBLY (CREM) carefully and thoroughly read these instructions.

Coin Blockout Assembly Kit, part number 5220-095 consists of the following parts:

| Part Number | Description | Quantity |
|-------------|--|----------|
| 5230-150 | Coin Blockout Assembly | 1 |
| 9900-090 | Screw/Lockwasher #6-32 x 3/16", RH Slot | 2 |
| 5220-096 | Installation Instructions | 1 |
| * * * | | |

The Coin Blockout Assembly is soldered on to the Changer Harness leads on the early ACER, Series 2500 and Series 5202 Coin Mechanism. The later versions of these Coin Mechanisms have quick-disconnect Connectors for attaching the Harness to the Coin Blockout Assembly.

The Coin Blockout Assembly is soldered on to the Changer Harness leads on ALL ACER, Series 5220 Coin Mechanisms.

All ACER, Series 5230 Coin Mechanisms have quick disconnect Connectors for attaching the Harness leads to the Coin Blockout Assembly.

When installing a Coin Blockout Assembly follow the instructions which cover the method of Harness Coin Blockout Assembly attachment used in the Coin Mechanism being repaired.

The first replacement method is for Coin Mechanisms which have quick-disconnect Connectors on the Harness Assembly leads. The second replacement method is for Coin Mechanisms which have the Coin Blockout Assembly attached to the Harness leads with solder.

To Install A Coin Blockout Assembly:

I. IN AN ACER COIN MECHANISM EQUIPPED WITH QUICK-DISCONNECT CONNECTORS ON THE HARNESS LEADS.

1. Remove the ACER Coin Mechanism from the Merchandiser.
2. Remove the Slug Rejector from the ACER.
3. Disconnect the quick-disconnect Connectors from the terminals on the defective Coin Blockout Assembly.
4. Remove the two Screws which attach the defective Coin Blockout Assembly to the Coin Mechanism Rear Plate and remove the defective Coin Blockout Assembly. See Figure 1.

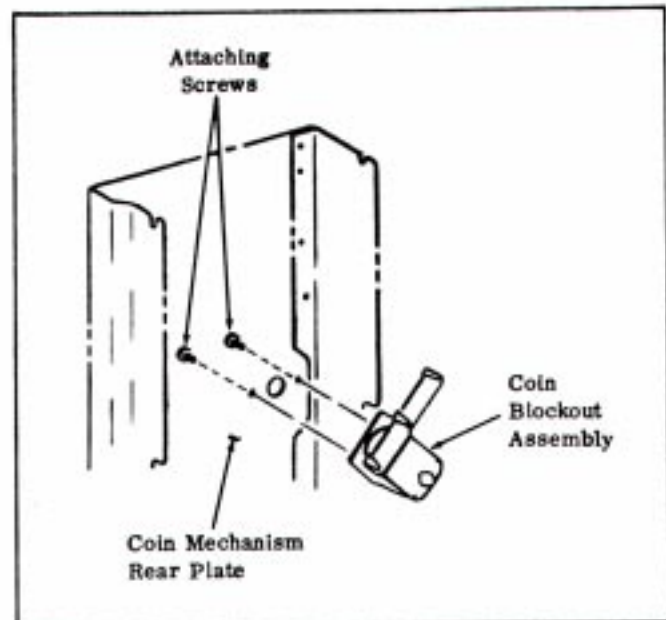


FIGURE 1

5. Install the replacement Coin Blockout Assembly, part number 5230-150 on the Rear Plate and attach the Assembly with the Screws removed in step 4 or with the two Screws included in the Kit. See Figure 2.
6. Attach the Harness Connectors to the Coin Blockout terminals.
7. Install the Slug Rejector in the Coin Mechanism.
8. Install the Coin Mechanism in the Merchandiser.
9. Thoroughly test vend the Merchandiser.

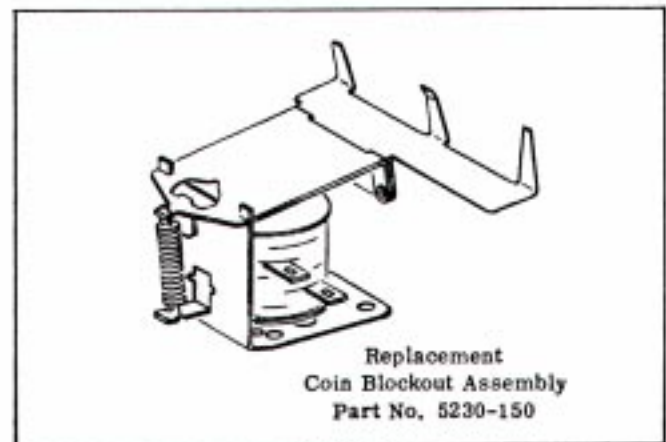


FIGURE 2

II. IN AN ACER COIN MECHANISM WITH THE HARNESS LEADS SOLDERED TO THE COIN BLOCKOUT ASSEMBLY TERMINALS,

1. Loosen the Screw which attaches the replacement Coin Blockout Assembly Coil, part number 5230-150, to its Blockout Frame. See Figure 3.
2. Rotate the Coil 180° and tighten the Screw loosened in step 1. See Figure 4.
3. Remove the ACER Coin Mechanism from the Merchandiser.
4. Remove the Slug Rejector from the ACER.
5. Remove the two Screws which attach the defective Coin Blockout Assembly to the Coin Mechanism Rear Plate and remove the defective Coin Blockout Assembly out of the Merchandiser.
6. Cut the Harness leads of the defective Blockout Assembly Coil. Cut the leads as close to the coil terminals as possible.
7. Strip and tin the Harness leads for soldering.
8. Solder the white leads to one of the terminals on the replacement Coin Blockout Coil and the black lead to the other terminal.
9. Install the replacement Coin Blockout Assembly, part number 5230-150 on the Rear Plate and attach the Assembly with the Screws removed in step 4 or with the two Screws included in the Kit.
10. Install the Slug Rejector in the Coin Mechanism.
11. Install the Coin Mechanism in the Merchandiser.
12. Thoroughly test vend the Merchandiser.

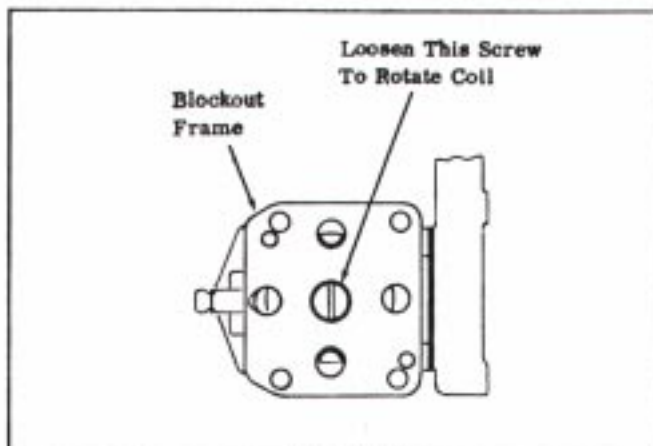


FIGURE 3

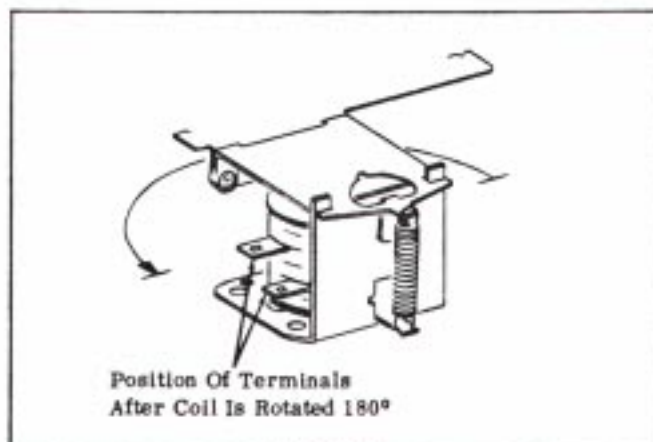


FIGURE 4